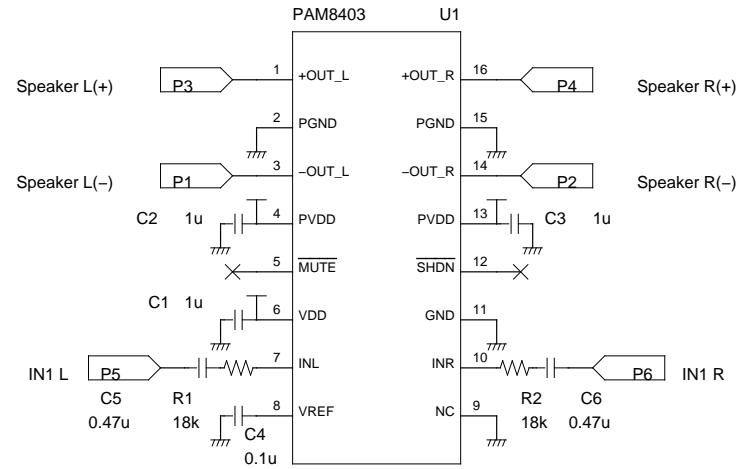


Speaker Amp.



TITLE Active Speaker using class-D Amplifier PAM8403

FILE:

REVISION: 2008-12-20

PAGE

OF

DRAWN BY:

T. Nakagawa