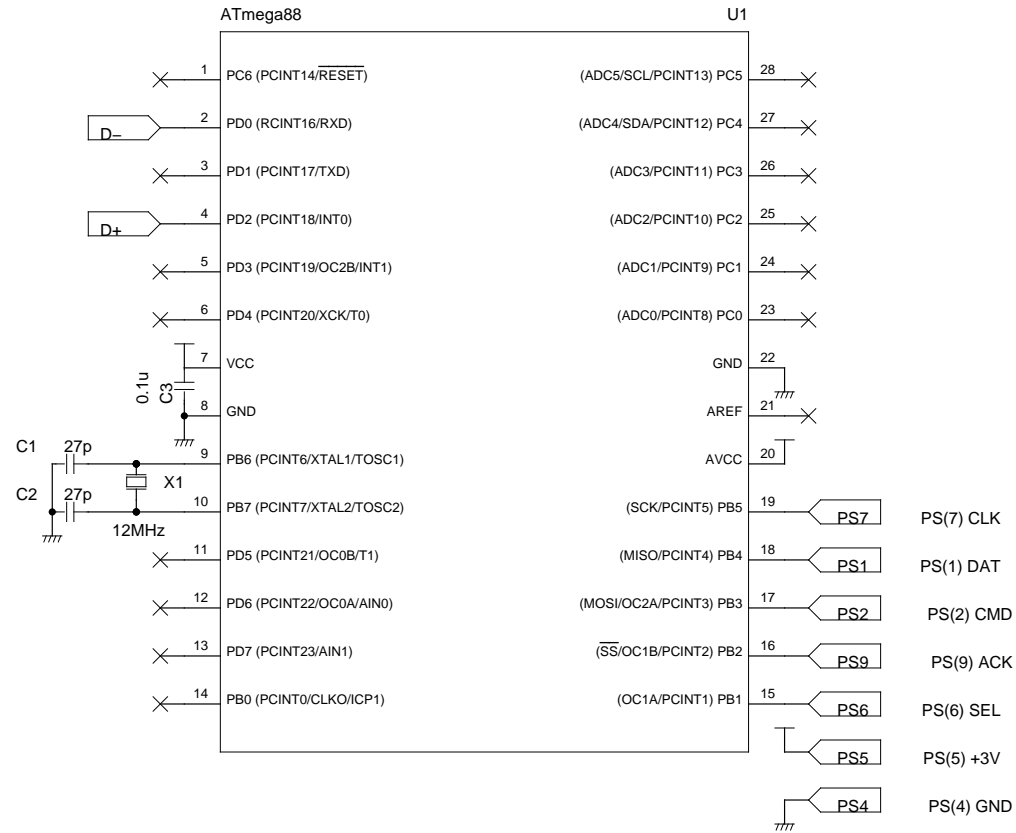
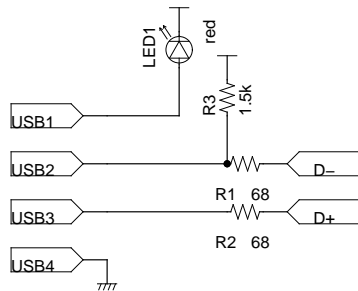


USB(1:red) VBUS  
 USB(2:white) D-  
 USB(3:green) D+  
 USB(4:black) GND



TITLE pspad2usb

FILE:

REVISION: 2008-12-23

PAGE

OF

DRAWN BY:

T. Nakagawa